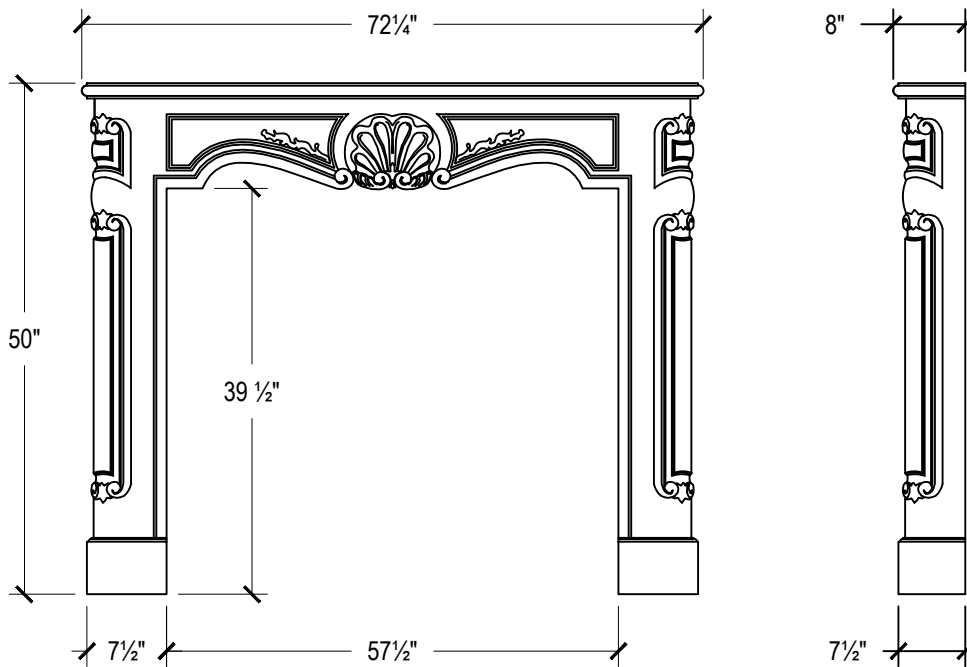
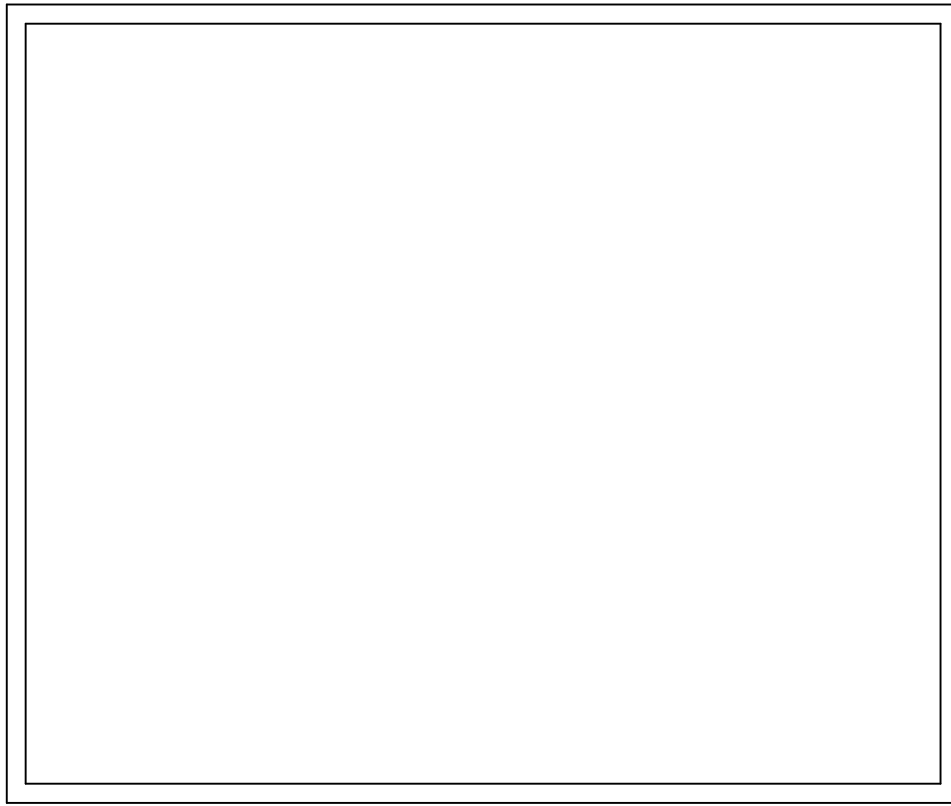


ESCORIAL II



PRECAST PRO
PRODUCTS INC.

5

2414 E. 56th STREET
VERNON, CA 90058
Phone: 323-589-1442
www.precastproinc.com