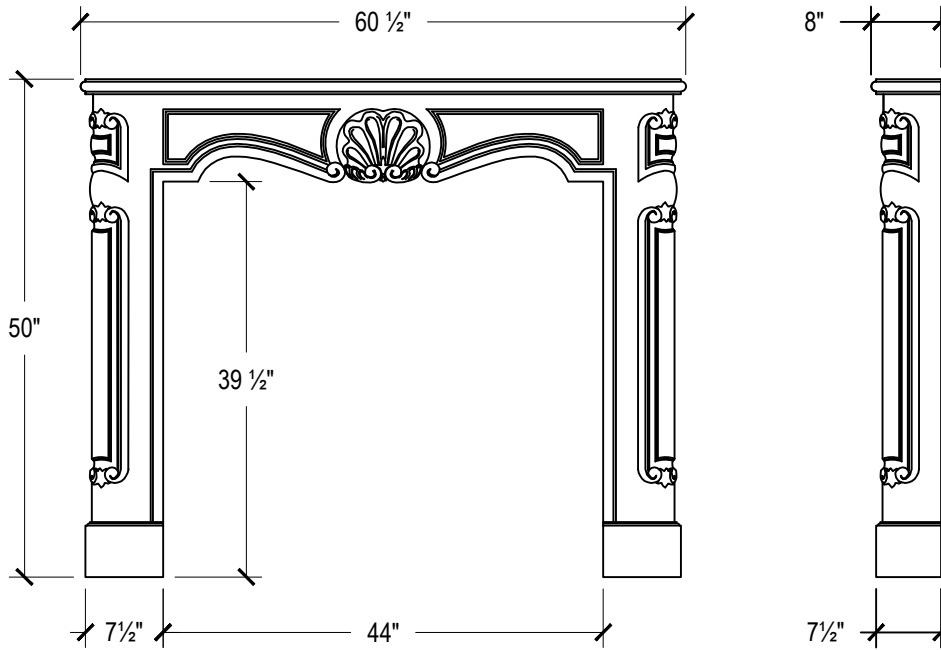
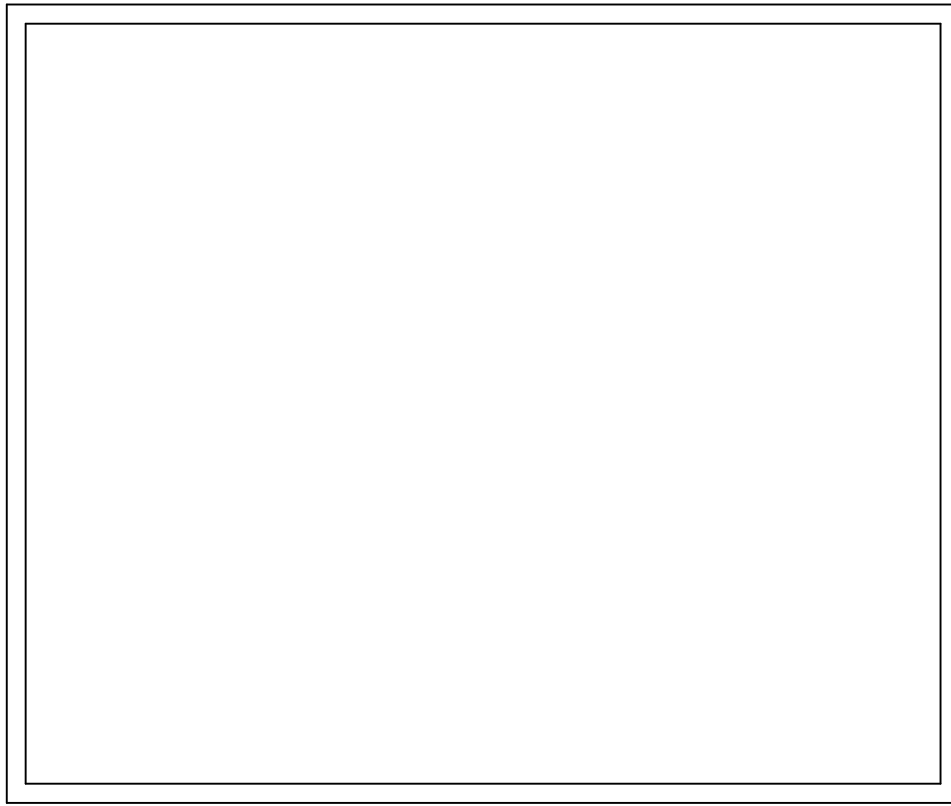


# ESCORIAL I



**PRECAST PRO  
PRODUCTS INC.**

**4**

2414 E. 56th STREET  
VERNON, CA 90058  
Phone: 323-589-1442  
[www.precastproinc.com](http://www.precastproinc.com)