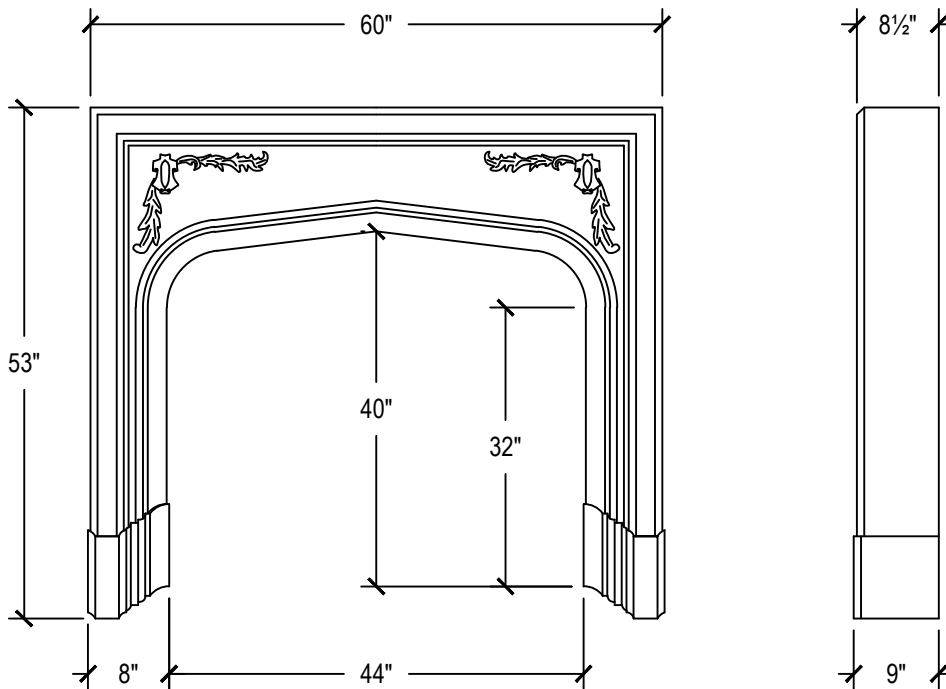
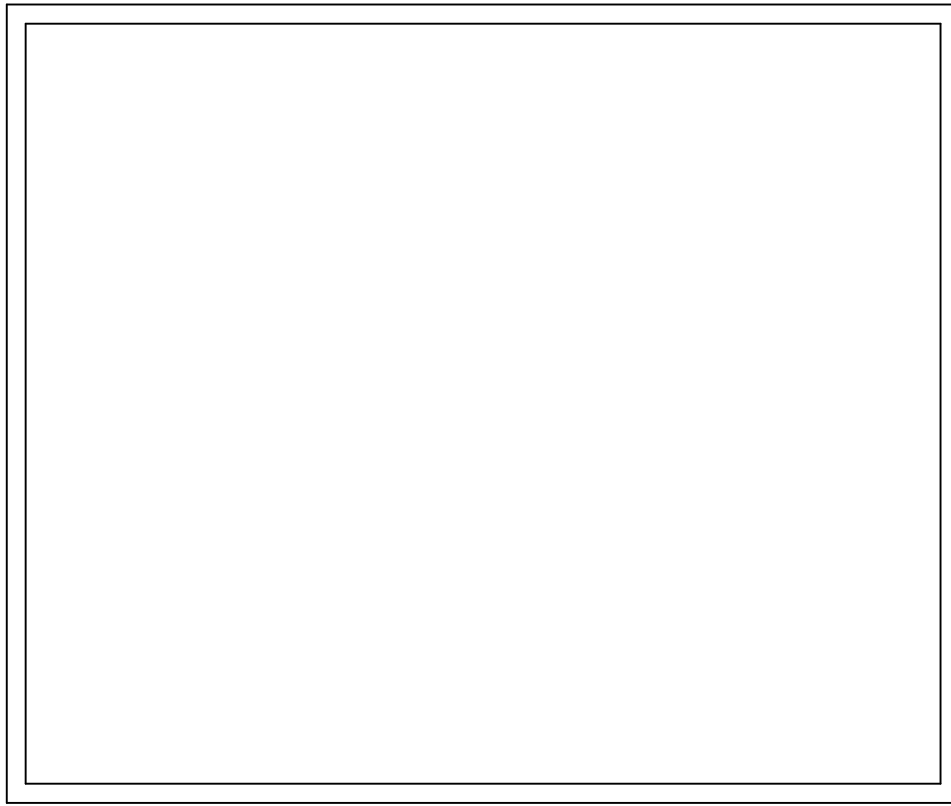


MEDICI



**PRECAST PRO
PRODUCTS INC.**

20

2414 E. 56th STREET
VERNON, CA 90058
Phone: 323-589-1442
www.precastproinc.com